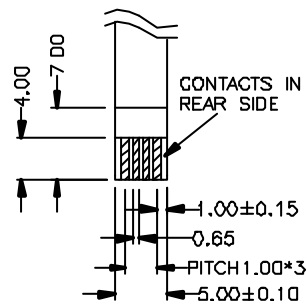
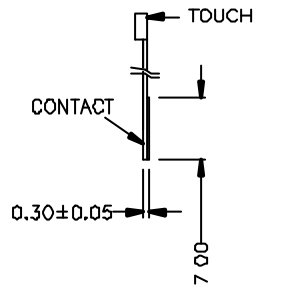
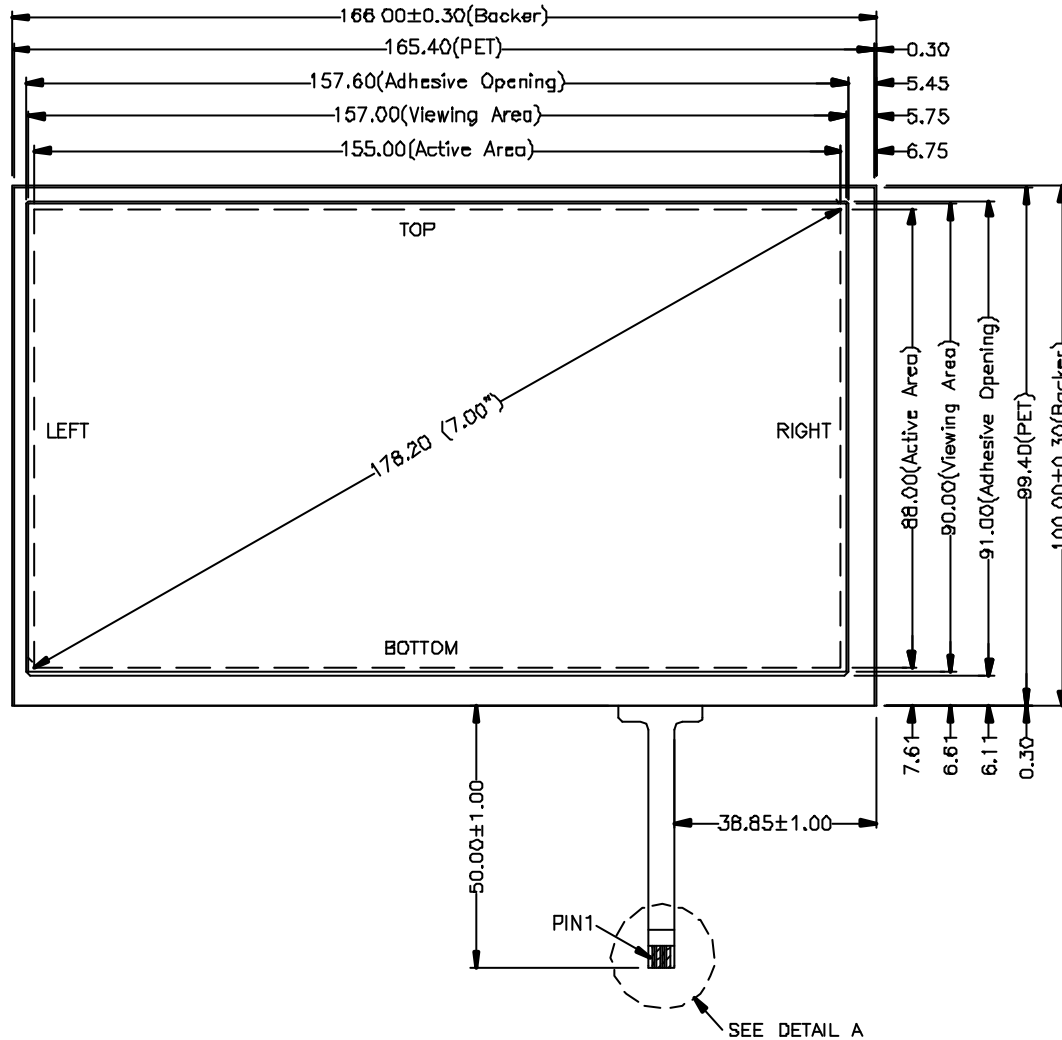
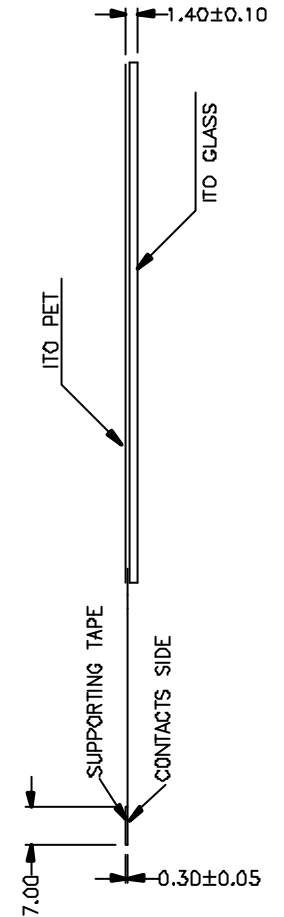


FRONT VIEW



DETAIL A
SCALE 2.0



NOTES:

1. ITO GLASS THICKNESS : 1.10mm
2. OVERALL THICKNESS : 1.40±0.10mm
3. CONNECTOR AND PINOUT AS INDICATED
4. FRONT SURFACE : ANTI-GLARE HARDCOAT
5. LAYER TO LAYER ASSEMBLY TOLERANCE: ±0.30mm
6. OTHER SPEC : SEE APPROVED SHEET

Pin #	Assignment
1	LEFT
2	BOTTOM
3	RIGHT
4	TOP

NO.	DATE	DESCRIPTION
REVISION		
CHIEF OF DESIGN	APPROVED	
ENGINEER	PROJECT MANAGER	
DRAWN BY	DATE	JULY 10, 2002
SHT 1 OF 1	REV.	

San Technology, Inc.	
TOLERANCES UNLESS SPECIFIED	
X	± 0.50
XX	± 0.30
XXX	± 0.3D
ANGULAR	
PROJECT NAME	9519
DWG NO	9519-0-01
SCALE	1:1 UNIT: mm