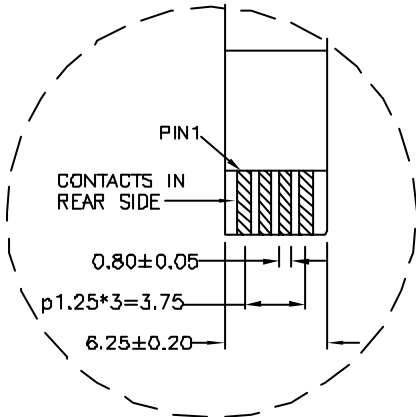
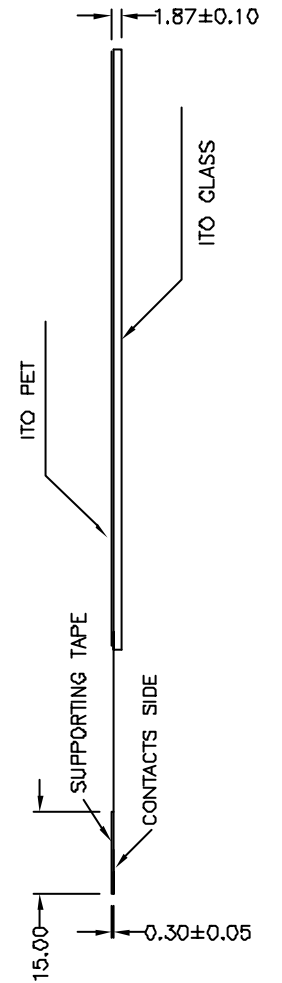
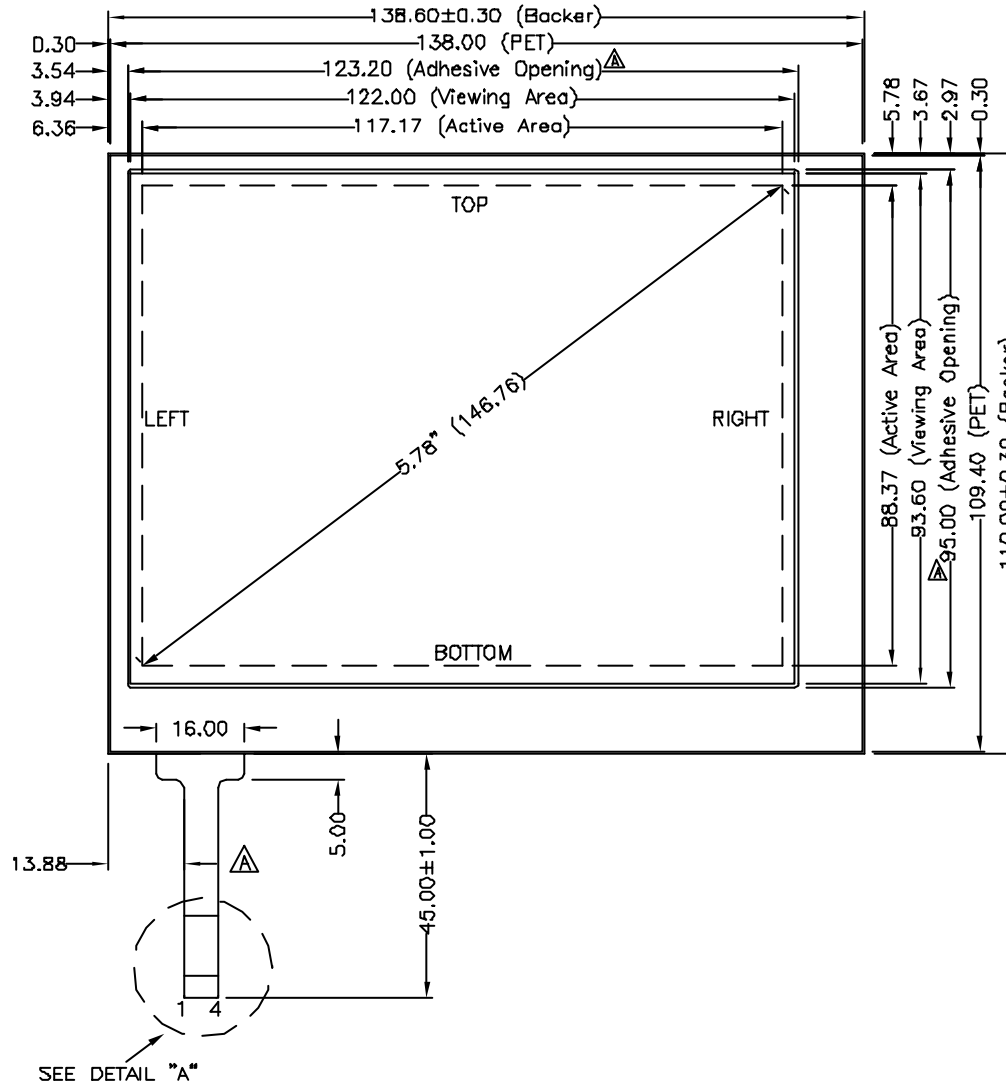


FRONT VIEW

Pin#	Assignment
1	LEFT
2	BOTTOM
3	RIGHT
4	TOP



DETAIL A



- NOTES:
1. ITO GLASS THICKNESS : 1.57mm
 2. OVERALL THICKNESS : 1.87±0.10mm
 3. CONNECTOR AND PINOUT AS INDICATED
 4. FRONT SURFACE : ANTI-GLARE HARDCOAT
 5. LAYER TO LAYER ASSEMBLY TOLERANCE : ±0.30mm

NO.	DATE	DESCRIPTION
B	OCT 18, 2004	Modify Circuit & Material
A	MAY 4, 2004	Modify Tail Base & Adhesive Dimensions

REVISION		TOLERANCES UNLESS SPECIFIED	
CHIEF OF DESIGN	APPROVED	.X	± 0.50
ENGINEER	PROJECT MGR	.XX	± 0.50
DRAWN BY	DATE	.XXX	± 0.30
SHT 1 OF 1	REV. B	ANGULAR	.

San Technology, Inc.

PROJECT NAME : 9521
 DWG NO : 9521-2-01
 SCALE : 1:1 UNIT : mm